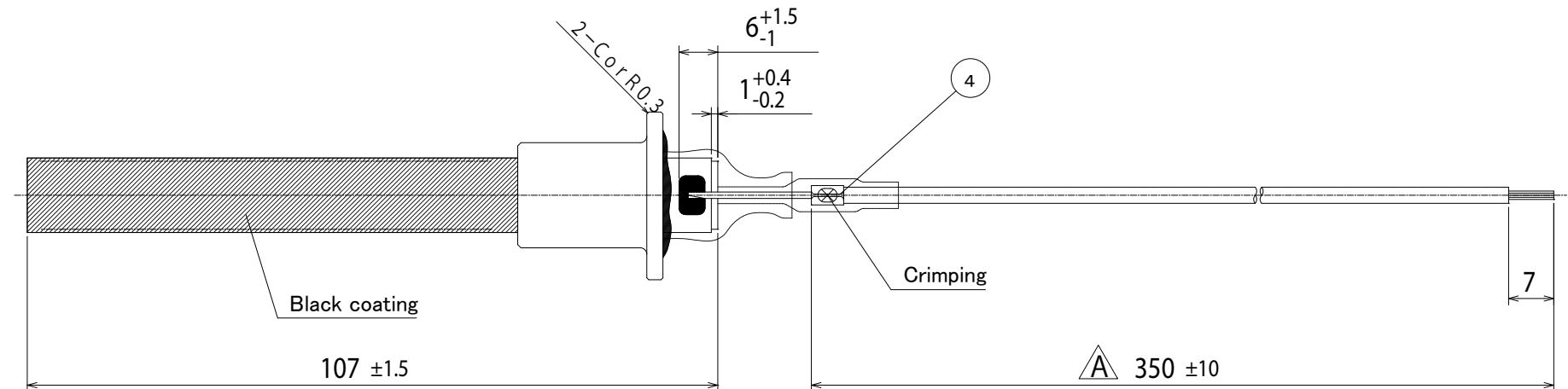
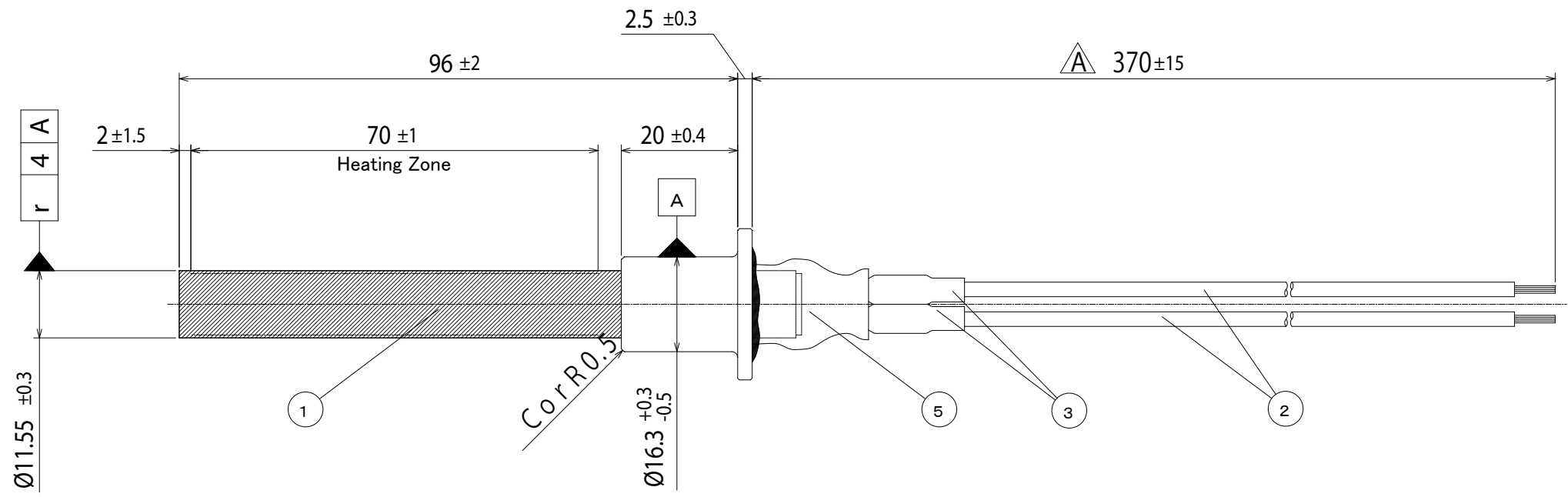
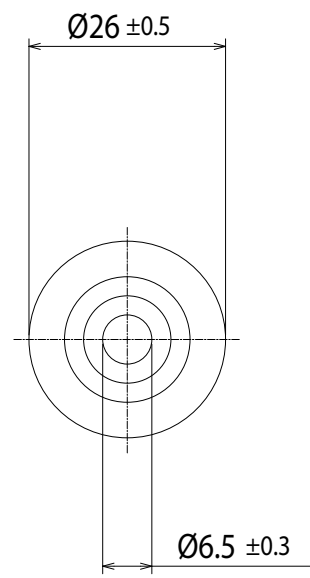


NO.	REVISION HISTORY	DATE	SIGNED	CHECKED	APPROVED
A	lead wire length review (520→370, 500→350), statements review	14.01.16	Fujimoto		



(Specifications)

Properties	Value	Condition
Forward Current	AC240V ±10%	50/60Hz
Turning on electricity		
1.Rising time	Over 820°C within 60s	Applied at AC240V and 23°C ambient temperature
2.Inrush current	Behind 7A	
3.Minimum Wattage	Over 300W	
4.Minimum temperature	Over 870°C	
Normal temperature resistance	40.15~49.13Ω	23±1 °C ambient temperature
Insulation resistance	Over 50MΩ	Applied at both side of Heating element DC500V at normal temperature and humidity
Withstand voltage	Current Leakage below 5mA	Applied at both side of Heating element AC1500V for 1 s at normal temperature and humidity rate
Caulking strength (Nickel wire and lead wire)	Over 29.4N (Over 3kg f)	The nickel wire has been clamp and the lead part has been tested with push-pull gauge
Discontinuous conduction (Heating element)	Without break	Applied at 264V for 4 min On/5 min off (Forced cooling) for over 3000 cycles.

(Statements)  
 1. This product comply with RoHS and REACH standard.

NO.	NAME	PCS.	DRAWING NO.	MATERIAL/DIMENSION	MODEL NUMBER	OTHER
5	HEAT SHRINKABLE TUBE	1	FEA-TS003	SST, Ø16 × 20L	SILICONE	
4	CONNECTOR	2		Cu, tin-plating	29071-1	29071-1
3	HEAT SHRINKABLE TUBE	2	FEA-TS012	SST, Ø4 × 28L	SILICONE	
2	LEAD WIRE	2	FEA-RG092	RS-GE, 0.5sq, W	SILICONE-GLASS	180°C
1	HEATING ELEMENT	1	FEA-EA037	ALUMINA(A473)	B/240V	

NAME						PSx-1-240-B		
						(FKK-Standa rd Pellet system heater)		
MATERIAL						DATE		
						2013.09.04		
APPROVED	T.Murakami		THIRD ANGLE PROJECTION	CODE				
CHECKED	R.Toyokawa							
CHARGED	S.Kimura		SCALE	DRAWING NO.		REV		
DESIGNED	R.Toyokawa			1:1	IBA-HH006		A	
DRAWN	Y.Fujimiotio							

Proprietary statement

This drawings is the proprietary of FKK Corporation. In case of non-respect of the present term, FKK may take action and ask for damages.

FKK CORPORATION