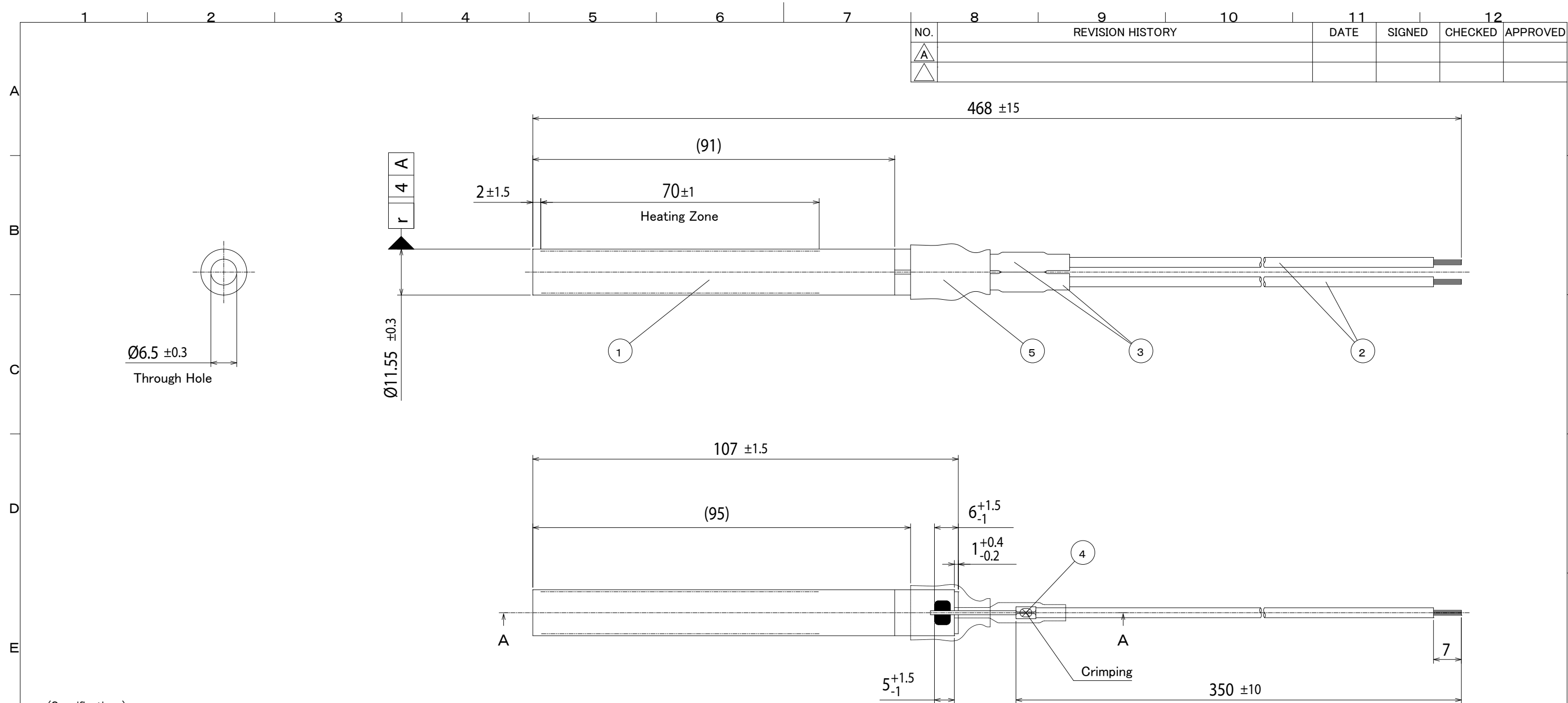
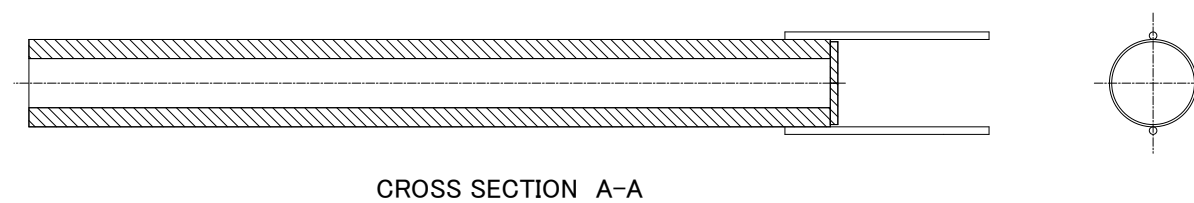


| NO. | REVISION HISTORY | DATE | SIGNED | CHECKED | APPROVED |
|-----|------------------|------|--------|---------|----------|
| △ | | | | | |
| △ | | | | | |



(Specifications)

| Properties | Value | Condition |
|---|---------------------------|---|
| Forward Current | AC120V ±10% | 50/60Hz |
| Normal temperature resistance | 15.3~18.7 Ω | 23±1 °C ambient temperature |
| Insulation resistance | Over 50M Ω | Applied at both side of Heating element DC500V at normal temperature and humidity |
| Withstand voltage | Current Leakage below 5mA | Applied at both side of Heating element AC1500V for 1 s at normal temperature and humidity rate |
| Caulking strength (Nickel wire and lead wire) | Over 29.4N (Over 3kg f) | The nickel wire has been clamp and the lead part has been tested with push-pull gauge |
| Discontinuous conduction (Heating element) | Without break | Applied at 132V for 4 min On/5 min off (Forced cooling) for over 3000 cycles. |



(Statements)

1. This product comply with RoHS and REACH standard.

| 5 | HEAT SHRINKABLE TUBE | 1 | FEA-TS003 | SST, Ø16 × 20L | SILICONE | |
|-----|----------------------|------|-------------|--------------------|----------------|-------|
| 4 | CONNECTOR | 2 | | Cu, tin-plating | 29071-1 | |
| 3 | HEAT SHRINKABLE TUBE | 2 | FEA-TS012 | SST, Ø4 × 28L | SILICONE | |
| 2 | LEAD WIRE | 2 | FEA-RG092 | RS-GE, 0.5sq, W | SILICONE-GLASS | 180°C |
| 1 | HEATING ELEMENT | 1 | FEA-EA042 | ALUMINA(A473) | LCR-3B-120VFL | |
| NO. | NAME | PCS. | DRAWING NO. | MATERIAL/DIMENSION | MODEL NUMBER | OTHER |

| | | | | | | | |
|----------|--|------------------------|--|-------------|--|-------------------------------------|--|
| NAME | | | | | | PSx-3-120-W | |
| | | | | | | (FKK-Standard Pellet system heater) | |
| MATERIAL | | | | DATE | | 2014.05.22 | |
| APPROVED | | THIRD ANGLE PROJECTION | | CODE | | | |
| CHECKED | | SCALE | | DRAWING NO. | | | |
| CHARGED | | 1:1 | | IBA-HH018 | | | |
| DESIGNED | | DRAWN | | Y.Fujimoto | | REV | |

Proprietary statement

This drawings is the proprietary of FKK Corporation. In case of non-respect of the present term, FKK may take action and ask for damages.

FKK CORPORATION