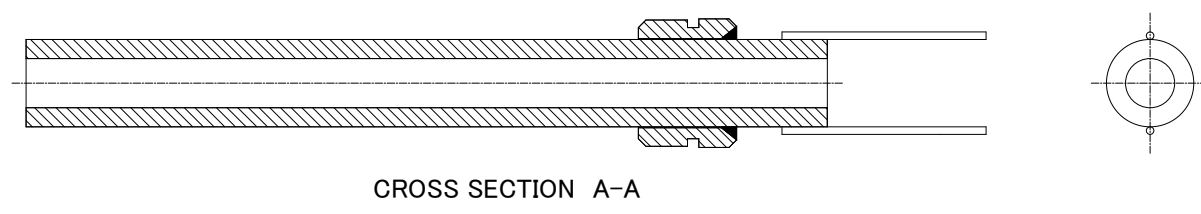
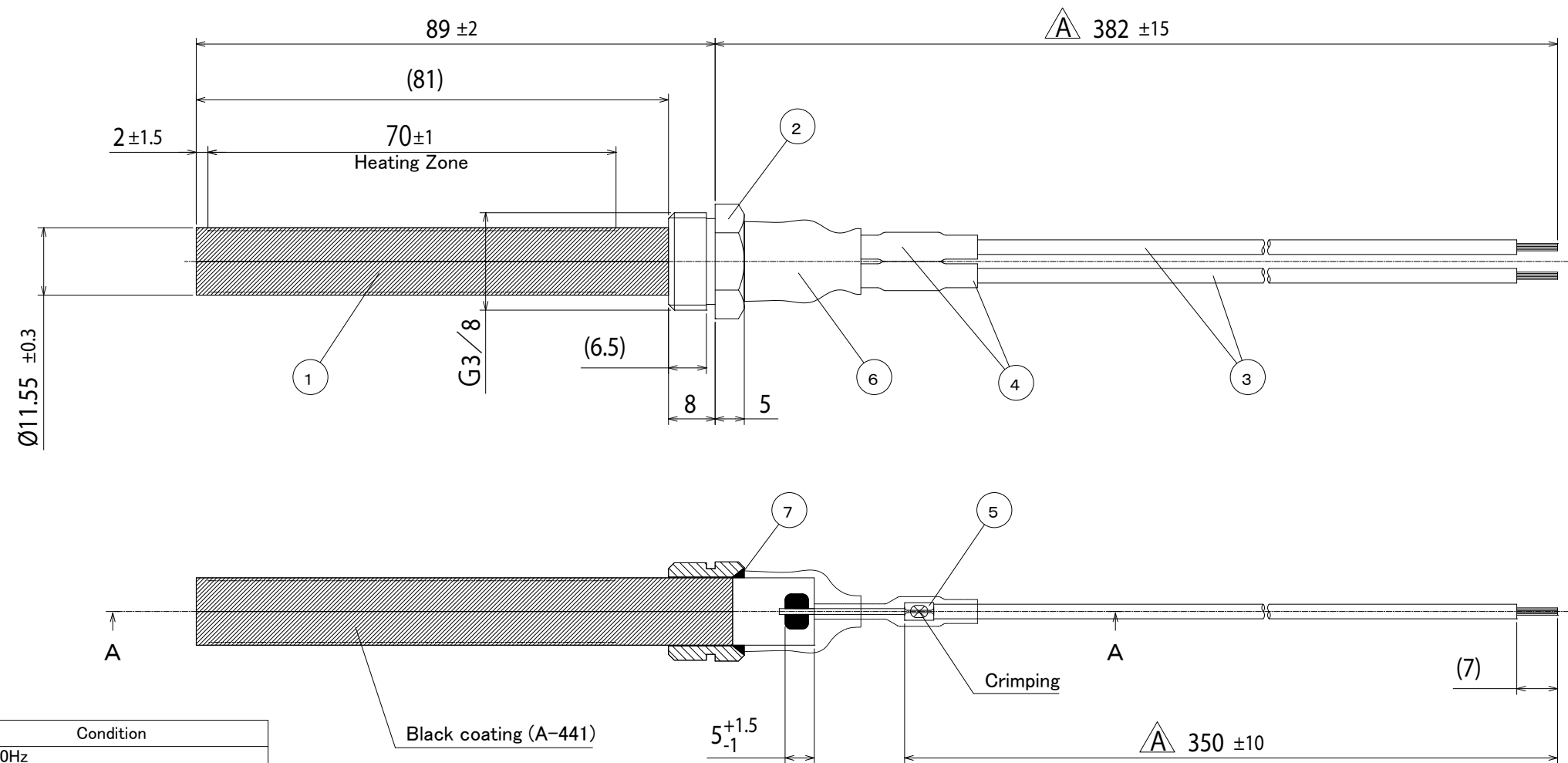
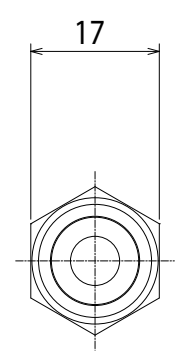


NO.	REVISION HISTORY	DATE	SIGNED	CHECKED	APPROVED
A	lead wire length review (532→382, 500→350), statements review	14.01.16	Fujimoto		



(Specifications)

Properties	Value	Condition
Forward Current	AC240V ±10%	50/60Hz
Turning on electricity		
1.Rising time	Over 820°C within 60s	Applied at AC240V and 23°C ambient temperature
2.Inrush current	Behind 7A	
3.Minimum Wattage	Over 300W	
4.Minimum temperature	Over 870°C	
Normal temperature resistance	40.15~49.13 Ω	23±1 °C ambient temperature
Insulation resistance	Over 50MΩ	Applied at both side of Heating element DC500V at normal temperature and humidity
Withstand voltage	Current Leakage below 5mA	Applied at both side of Heating element AC1500V for 1 s at normal temperature and humidity rate
Caulking strength (Nickel wire and lead wire)	Over 29.4N (Over 3kg f)	The nickel wire has been clamp and the lead part has been tested with push-pull gauge
Discontinuous conduction (Heating element)	Without break	Applied at 264V for 4 min On/5 min off (Forced cooling) for over 3000 cycles.

NO.	NAME	PCS.	DRAWING NO.	MATERIAL/DIMENSION	MODEL NUMBER	OTHER
7	CERAMIC SEALING			FUJICERAM-W		
6	HEAT SHRINKABLE TUBE	1	FEA-TS003	SST, Ø16 × 20L	SILICONE	
5	CRIMP CONNECTOR	2		Cu, tin-plating	29071-1	
4	HEAT SHRINKABLE TUBE	2	FEA-TS012	SST, Ø4 × 28L	SILICONE	
3	LEAD WIRE	2	FEA-RG092	RS-GE, 0.5sq, W	SILICONE-GLASS	180°C
2	MOUNTING	1	FEA-KN058	BRASS, G3/8		
1	HEATING ELEMENT	1	FEA-EA041	ALUMINA(A473)	B/240V-FCL	

(Statements)
 1. This product comply with RoHS and REACH standard.

NAME		PSx-7-240-B	
(FKK-Standard Pellet system heater)			
MATERIAL		DATE 2013.12.05	
APPROVED	T.Murakami	THIRD ANGLE PROJECTION	CODE
CHECKED	R.Toyokawa		
CHARGED	S.Kimura	SCALE	DRAWING NO.
DESIGNED	R.Toyokawa		
DRAWN	R.Toyokawa		
		1:1	IBA-HH010
			REV A

Proprietary statement This drawings is the proprietary of FKK Corporation. In case of non-respect of the present term, FKK may take action and ask for damages.

FKK CORPORATION