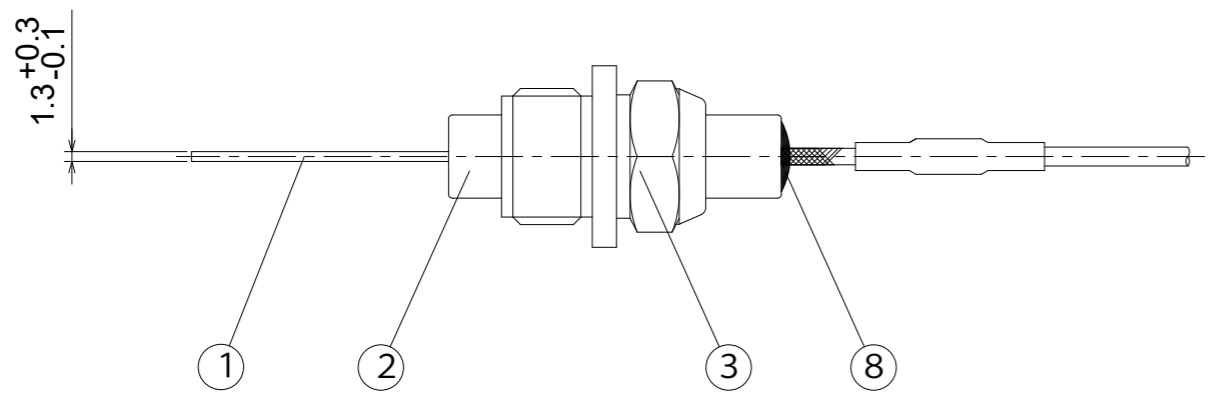
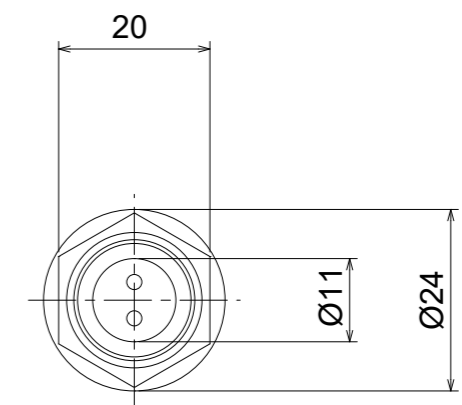
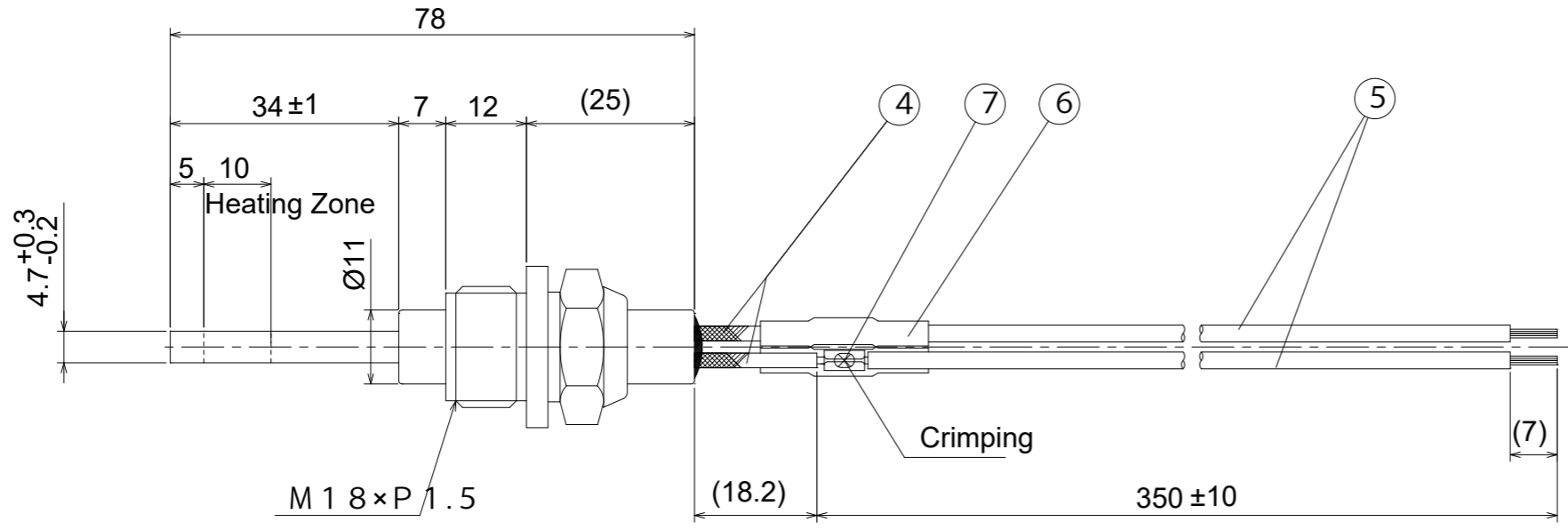


NO.	REVISION HISTORY	DATE	SIGNED	CHECKED	APPROVED
△A					
△					



(Specifications)

Properties	Value	Condition
Voltage	AC100V ±10%	50/60Hz
Saturation temperature	Applied at 90V : ≤ 1055°C Applied at 110V : ≥ 1318 °C	Maximum heating temperature Approximately 30 seconds after powering
Normal temperature resistance	48~68Ω	Ambient temperature 25±1 °C It is preferable to take care about saturation temperature
Insulation resistance	≤ 100MΩ	Applied at both side of Heating element DC500V at normal temperature and humidity
Withstand voltage	Current Leakage ≥ 10mA	Applied at both side of Heating element and connector flange AC1500V for 1 s at normal temperature and humidity
Maximum temperature	1350 °C 200 °C	Heating element
Sealing strength	≤ 49N	Horizontal constraint between ceramic element and flange

(Statements)

- Without specific notice the ceramic element dimension tolerance shall be ±0.5mm.
- This product comply with RoHS standard.

NO.	NAME	PCS.	DRAWING NO.	MATERIAL/DIMENSION	MODEL NUMBER	OTHER
8	SEALANT			FUJICERAM		FKK
7	CONNECTOR	2		Cu, tin-plating	29071-1	
6	SILICON RUBBER TUBE	2		SILICONE	Ø4×25L	180°C
5	LEAD WIRE	2	FEA-RG092	SILICONE-GLASS	0.5sq, WHITE	180°C
4	SILICONE GLASS TUBE	2	FEA-TH008	SILICONE	HST-10, Ø1×22L	WHITE
3	M18 METAL FLANG	1	FEA-KN003	SS, Chrome		
2	INSULATOR	1	FEA-GA281	ALUMINA 95%		Glazed
1	HEATING ELEMENT	1	FEA-ES024	Si3N4(SN220)		FJT-1S

NAME		SNx-2-100	
MATERIAL		DATE 2018.05.30	
APPROVED	THIRD ANGLE	CODE	
CHECKED		DRAWING NO. REV	
CHARGED			
DESIGNED	SCALE	DRAWING NO. REV	
DRAWN	1 : 1	DRAWING NO. REV	

Proprietary statement This drawings is the proprietary of FKK Corporation. In case of non-respect of the present term, FKK may take action and ask for damages.