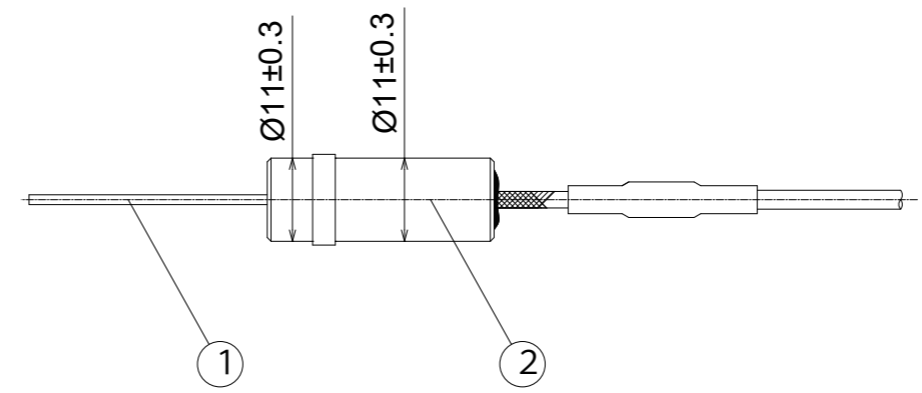
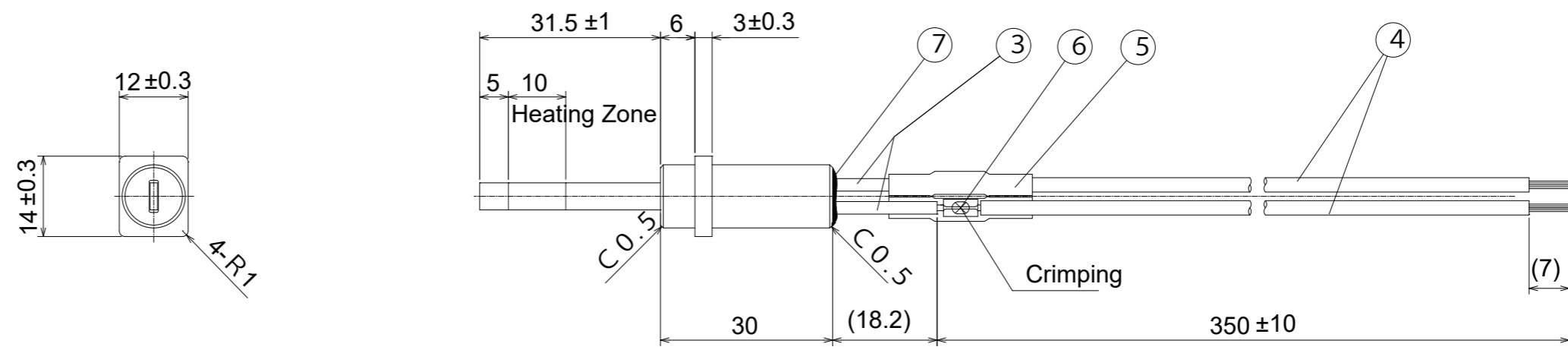


NO.	REVISION HISTORY	DATE	SIGNED	CHECKED	APPROVED
△					
△					



(Statements)
 1. Without specific notice the ceramic element dimension tolerance shall be ±0.5mm.
 2. This product comply with RoHS standard.

(Specifications)

Properties	Value	Condition
Voltage	AC100V ±10%	50/60Hz
Saturation temperature	Applied at 90V : ≤ 1000 °C Applied at 110V : ≥ 1380 °C	Maximum heating temperature Approximately 30 seconds after powering
Normal temperature resistance	32~45Ω	Ambient temperature 25±1 °C It is preferable to take care about saturation temperature
Insulation resistance	≤ 50MΩ	Applied at both side of Heating element DC500V at normal temperature and humidity
Withstand voltage	Current Leakage ≥ 5mA	Applied at both side of Heating element and connector flange AC1500V for 1 s at normal temperature and humidity
Maximum temperature	1400 °C 300 °C	Heating element
Sealing strength	≤ 49N	Horizontal constraint between ceramic element and flange

NO.	NAME	PCS.	DRAWING NO.	MATERIAL/DIMENSION	MODEL NUMBER	OTHER
7	SEALANT			FUJICERAM		FKK
6	CONNECTOR	2		Cu, tin-plating	29071-1	
5	SILICON RUBBER TUBE	2		SILICONE	Ø4×25L	180°C
4	LEAD WIRE	2	FEA-RG092	SILICONE-GLASS	0.5sq, WHITE	180°C
3	SILICONE GLASS TUBE	2	FEA-TH008	SILICONE	HST-10, Ø1×22L	WHITE
2	INSULATOR	1	FEA-GA092	ALUMINA 95%		Glazed
1	HEATING ELEMENT	1	FEA-ES017	Si3N4(SN361)		FJT-15

NAME		SNx-3-100	
MATERIAL		DATE 2018.05.30	
APPROVED	THIRD ANGLE	CODE	
CHECKED		DRAWING NO.	
CHARGED		REV	
DESIGNED	SCALE	DRAWING NO.	
DRAWN	1:1	DRAWING NO.	

Proprietary statement This drawings is the proprietary of FKK Corporation. In case of non-respect of the present term, FKK may take action and ask for damages.

FKK Corporation