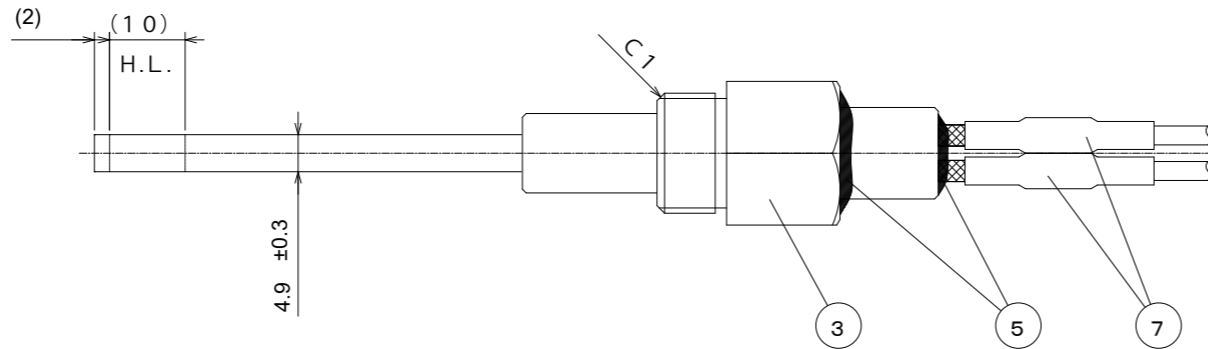
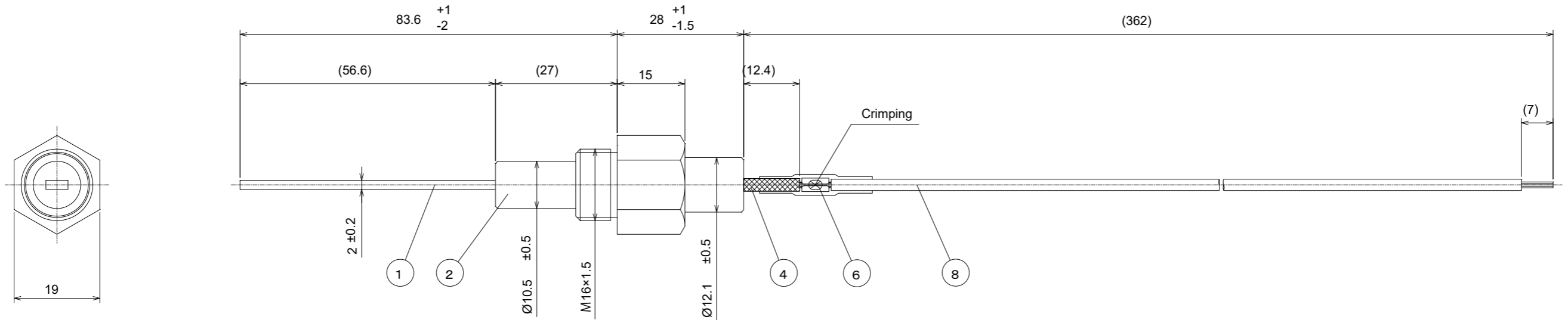


NO.	REVISION HISTORY	DATE	SIGNED	CHECKED	APPROVED
△					
△					



(Specifications)

Properties	Value	Condition
Voltage	AC100V ±10%	50/60Hz
Saturation temperature	Applied at 90V : ≥ 1050 °C Applied at 110V : ≤ 1320 °C	Maximum heating temperature Approximately 30 seconds after powering on
Normal temperature resistance	32~60Ω	Ambient temperature 25±1 °C
Insulation resistance	≥ 100MΩ	Applied at both side of Heating element DC500V at normal temperature and humidity
Withstand voltage	Current Leakage ≤ 1mA	Applied at both side of Heating element and connector flange AC1500V for 1 s at normal temperature and humidity
Maximum temperature	1400 °C 300 °C	Heating element
Sealing strength	≥ 49N	Horizontal constraint between ceramic element and flange
Sealing resistance to air pressure	≥ 2kPa after 1 minute (pressure decreasing to 8kPa after 1 minute)	Ambient air applied at 10kPa in 30~50 cc metal cylinder

(Statements)

- Without specific notice the ceramic element dimension tolerance shall be ±0.5mm
- Metal flange normal dimension tolerance comply with JIS B0405-m standard and normal geometric tolerance with JIS B0419-k standard.
- Normal operating condition definition (temperature and humidity)
Temperature: 15~35 °C / Humidity : 25~80% Pressure : 86~106KPa
- This product comply with RoHS standard.

NO.	NAME	PCS.	DRAWING NO.	MATERIAL/DIMENSION	MODEL NUMBER	OTHER
8	LEAD WIRE	2	FEA-RG092	SILICONE-GLASS	0.5sq. WHITE	
7	SILICONE RUBBER TUBE	2		SILICONE	Ø4×25L	180°C
6	CONNECTOR	2		Cu, tin-plating	29071-1	
5	CERAMIC-SEALING			FUJICERAM-FC		FKK
4	INSULATOR TUBE	2		SILICONE-GLASS	HST-10, 23L, WHITE	
3	HEX MOUNTING	1	FEA-KN056	SUS430		
2	INSULATOR	1	FEA-GA506	ALUMINA		non-Glaze
1	HEATING ELEMENT	1	FEA-ES028	Si3N4	W4.9xt2.0xL100	

NAME		SNx-5-100	
MATERIAL		DATE	
		2017.11.02	
APPROVED		THIRD ANGLE	CODE
CHECKED			
CHARGED		SCALE	DRAWING NO.
DESIGNED		1 : 1	
DRAWN	Y.Fujimoto		REV

Proprietary statement

This drawings is the proprietary of FKK Corporation. In case of non-respect of the present term, FKK may take action and ask for damages.

FKK Corporation