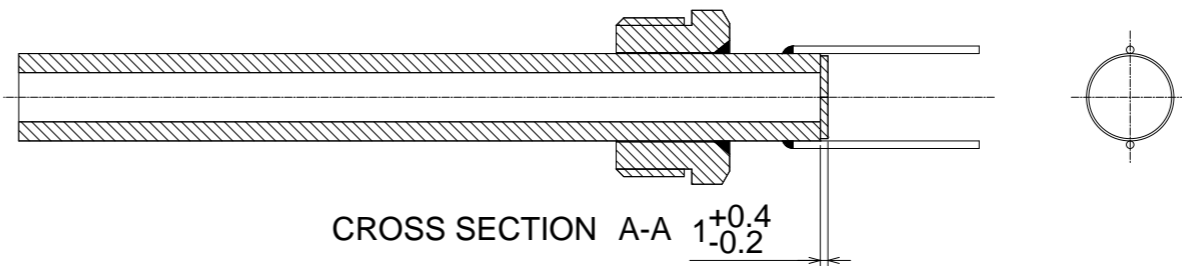
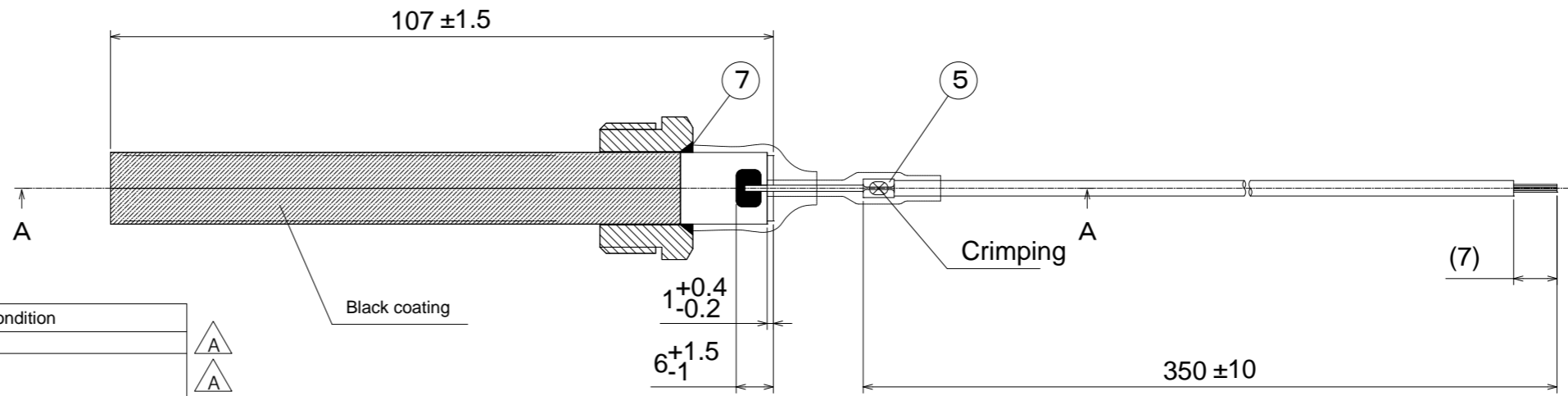
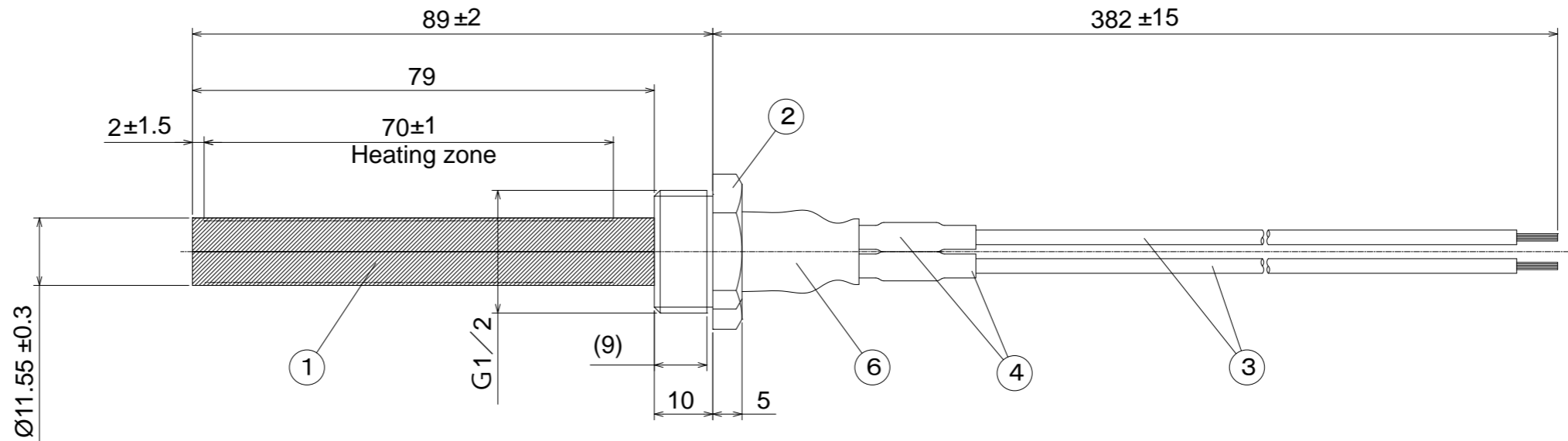
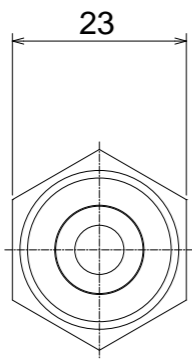


NO.	REVISION HISTORY	DATE	SIGNED	CHECKED	APPROVED
A	Element change (FEA-EA040→FEA-EA045), Specifications change	17.08.31	Y.Fujimoto		



(Specifications)

Properties	Value	Condition
Voltage	AC230V ±15%	
1.Rising time	820°C within ≥60s	Applied at AC230V and 23°C ambient temperature
2.Inrush current	≥6.7A	
3.Minimum Wattage	≤280W	
4.Minimum temperature	≤870°C	
Normal temperature resistance	40.15~49.13Ω	23±1 °C ambient temperature
Insulation resistance	≤50MΩ	Applied at both side of Heating element DC500V at normal temperature and humidity
Withstand voltage	Current Leakage ≥5mA	Applied at both side of Heating element AC1500V for 1 s at normal temperature and humidity rate
Caulking strength (Nickel wire and lead wire)	≤29.4N	The nickel wire has been clamp and the lead part has been tested with push-pull gauge
Discontinuous conduction (Heating element)	Without break	Applied at 264V for 4 min On/5 min off (Forced cooling) for over 3000 cycles.

Black coating

(Statements)

1. This product comply with RoHS and REACH standard.

NO.	NAME	PCS.	DRAWING NO.	MATERIAL/DIMENSION	MODEL NUMBER	OTHER
7	CERAMIC SEALING			FUJICERAM-W		
6	HEAT SHRINKABLE TUBE	1	FEA-TS003	SST, Ø16x20L	SILICONE	
5	CRIMP CONNECTOR	2		Cu, tin-plating	29071-1	
4	HEAT SHRINKABLE TUBE	2	FEA-TS012	SST, Ø4x28L	SILICONE	
3	LEAD WIRE	2	FEA-RG092	RS-GE, 0.5sq. W	SILICONE-GLASS	180°C
2	MOUNTING	1	FEA-KN059	BRASS, G1/2		
1	HEATING ELEMENT (PL)	1	FEA-EA045	ALUMINA(A473)	B/240V-FL	

NAME		PSx-5-240-B			
		(FKK-Standard Pellet system heater)			
MATERIAL		DATE		2014.02.27	
APPROVED		THIRD ANGLE	CODE		
CHECKED					
CHARGED		SCALE	DRAWING NO.		REV
DESIGNED	R.Toyokawa	1 : 1	IBA-HH013		A
DRAWN	R.Toyokawa				

Proprietary statement

This drawings is the proprietary of FKK Corporation. In case of non-respect of the present term, FKK may take action and ask for damages.

FKK Corporation